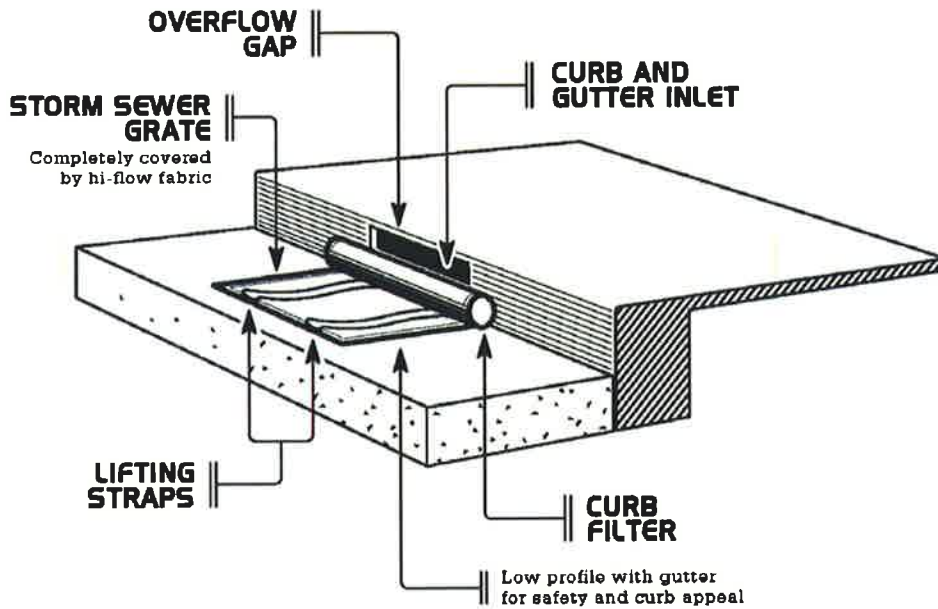


DANDY CURB BAG®
CURB AND GUTTER INLET/GRATE PROTECTION SYSTEM
GUIDE SPECIFICATION



PRODUCT:

DANDY CURB BAG®

MANUFACTURER:

Dandy Products, Inc.
P.O. Box 1980
Westerville, Ohio 43086
Phone: 800-591-2284
Fax: 740-881-2791
E-mail dlc@dandyproducts.com
Web www.dandyproducts.com

1.0 Description:

- 1.1 Work covered under this item consists of installing a Dandy Curb Bag® curb and gutter inlet protection system. The purpose is to keep silt, sediment and construction debris out of the storm water system.

2.0 Material:

- 2.1 The Dandy Curb Bag® curb and gutter inlet protection unit shall be a **sewn in the U.S.A.** geotextile fabric unit enclosing a porous structure in the form of a cylindrical tube placed in front of and extending beyond the inlet opening on both sides and have a geotextile fabric envelope fitted to the individual grate(s) on the street side of the sewn unit for grate(s) to be inserted and to completely enclose the grate(s).
- 2.2 The Dandy Curb Bag® shall have lifting devices to allow manual inspection of the storm water system.
- 2.3 The Dandy Curb Bag® unit shall utilize an orange monofilament fabric that is manufactured in the U.S.A. with the following characteristics:

PROPERTY	TEST METHOD	UNITS	TEST RESULTS
Grab Tensile Strength	ASTM D 4632	lbs	450 x 300
Grab Tensile Elongation	ASTM D 4632	%	40 x 25
Puncture Strength	ASTM D 4833	lbs	130
Mullen Burst Strength	ASTM D 3786	psi	600
Trapezoid Tear Strength	ASTM D 4533	lbs	165 x 150
% Open Area (POA)	COE - 22125-86	%	28
Apparent Opening Size	ASTM D 4751	US Std Sieve	30
Permittivity	ASTM D 4491	sec ¹	3.5
Permeability	ASTM 4491	cm/sec	0.25
Water Flow Rate	ASTM 4491	gal/min/ft ²	250
Ultraviolet Resistance	ASTM D 4355	%	70
Color			Orange ¹

¹The color orange is a trademark of Dandy Products, Inc.

The property values listed above are effective October 2010 and are subject to change without notice.

3.0 Installation:

- 3.1 Place the empty Dandy Curb Bag® unit over the grate as the grate stands on end.
- 3.2 *For oil and sediment model; to install or replace absorbent, place absorbent pillow in pouch, on the bottom (below-grade side) of the unit.*
- 3.3 Tuck the enclosure flap inside to completely enclose the grate.
- 3.4 Holding the lifting devices, being careful not to damage the sewn fabric unit, insert the grate into its frame, street side edge first, then lower back edge with cylindrical tube into place. The cylindrical tube should be partially blocking the curb hood opening when installed properly.

4.0 Maintenance:

- 4.1 The contractor shall remove all accumulated sediment and debris from surface and vicinity of unit after each rain event or as directed by engineer/inspector. Dispose of

unit no longer in use at an appropriate recycling or solid waste facility.

4.2 *For oil and sediment model; remove and replace absorbent when near saturation.*

5.0 Method of Measurement:

5.1 The quantity to be paid is for the actual number of Dandy Curb Bag® inlet protection units installed

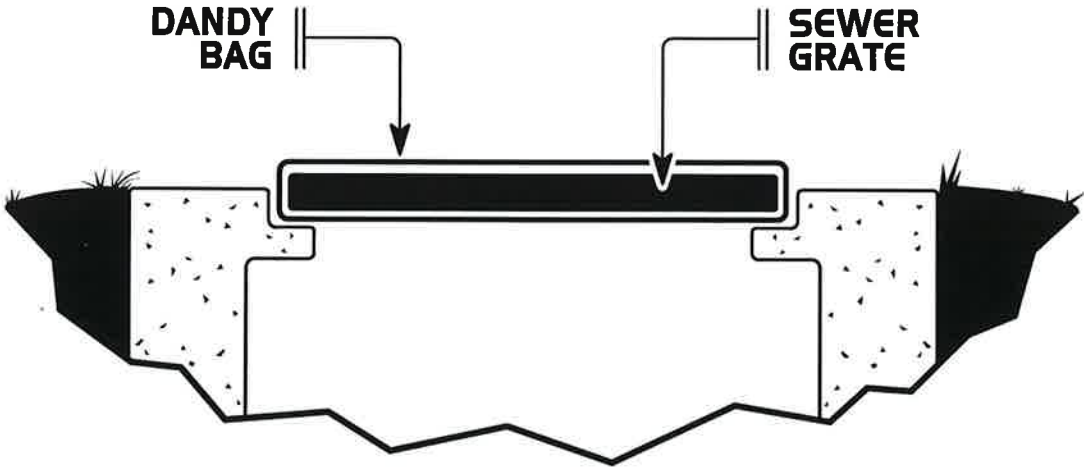
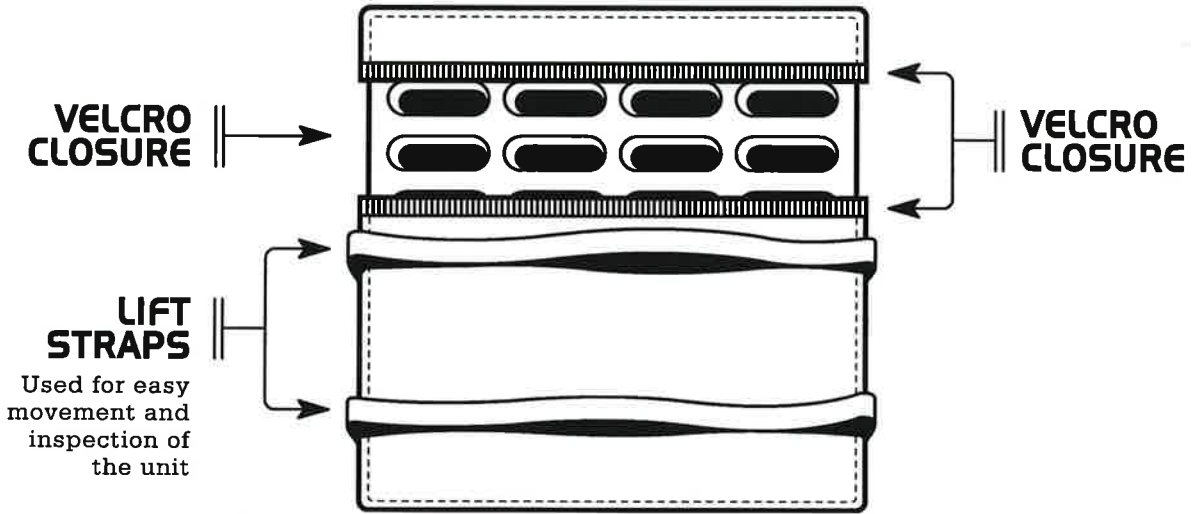
6.0 Basis of payment:

6.1 The unit price shall include labor, equipment, and materials necessary to complete the work and maintain the Dandy Curb Bag® inlet protection units.

6.2 Payment for the completed work will be made at the contract prices for:

<u>ITEM</u>	<u>UNIT</u>	<u>DESCRIPTION</u>
Dandy Curb Bag®	EA	Curb Inlet Protection Unit (# _____ Inlet)

▶ **DANDY BAG**® ◀



DANDY BAG®
INLET PROTECTION SYSTEM GUIDE SPECIFICATION

PRODUCT:

DANDY BAG®

MANUFACTURER:

Dandy Products Inc.
P.O. Box 1980
Westerville, Ohio 43086
Phone: 800-591-2284
Fax: 740-881-2791
E mail dlc@dandyproducts.com
Web www.dandyproducts.com

1.0 Description:

1.1 Work covered under this item consists of installing a Dandy Bag® inlet protection system. The purpose is to keep silt, sediment and construction debris out of the storm water system.

2.0 Material:

2.1 The Dandy Bag® inlet protection unit shall be a **sewn in the U.S.A.** geotextile fabric unit fitted to the individual grate(s) and completely enclosing the grate(s).

2.2 The Dandy Bag® shall have lifting devices to allow manual inspection of the storm water system.

2.3 The Dandy Bag® unit shall utilize an orange monofilament fabric manufactured in the U.S.A. with the following characteristics:

PROPERTY	TEST METHOD	UNITS	TEST RESULTS
Grab Tensile Strength	ASTM D 4632	lbs	450 X 300
Elongation	ASTM D 4632	%	40% X 25%
Puncture Strength	ASTM D 4833	lbs	130
Mullen Burst Strength	ASTM D 3786	psi	600
Trapezoid Tear Strength	ASTM D 4533	lbs	165 x 150
% Open Area (POA)	COE - 22125-86	%	28
Apparent Opening Size	ASTM D 4751	US Std Sieve	30
Permittivity	ASTM D 4491	sec ¹	3.5
Permeability	ASTM 4491	cm/sec	0.25
Water Flow Rate	ASTM 4491	gal/min/ft ²	250
Ultraviolet Resistance	ASTM D 4355	%	70
Color			Orange ¹

¹The color orange is a trademark of Dandy Products, Inc.
The property values listed above are effective October 2010 and are subject to change without notice.

3.0 Installation:

- 3.1 Place the empty Dandy Bag® over the grate as the grate stands on end.
- 3.2 *For oil and sediment model; to install or replace absorbent, place absorbent pillow in pouch, on the bottom (below-grade side) of the unit.*
- 3.3 Tuck the enclosure flap inside to completely enclose the grate.
- 3.4 Holding the lifting devices, insert the grate into the inlet being careful not to damage the Dandy Bag® unit.

4.0 Maintenance:

- 4.1 The contractor shall remove all accumulated sediment and debris from surface and vicinity of unit after each rain event or as directed by engineer/inspector. Dispose of unit no longer in use at an appropriate recycling or solid waste facility.
- 4.2 *For oil and sediment model; remove and replace absorbent when near saturation.*

5.0 Method of Measurement:

- 5.1 The quantity to be paid is for the actual number of Dandy Bag® inlet protection units installed

6.0 Basis of Payment:

- 6.1 The unit price shall include labor, equipment, and materials necessary to complete the work and maintain the Dandy Bag® inlet protection units.
- 6.2 Payment for the completed work will be made at the contract prices for:

<u>ITEM</u>	<u>UNIT</u>	<u>DESCRIPTION</u>
Dandy Bag®	EA	Inlet Protection Unit (# _____ Inlet)